

# Flygt A-C Series NS Pumps

## NSWV MODEL 300 VERTICAL NON-CLOG WASTEWATER PUMPS

### Single stage - enclosed non-clog type impeller for pumping wastewater and other non-corrosive liquids with soft solids.

With thousands of NS dry pit pumps in operation worldwide and as the industry leader in service and support with the over 120 years of expertise, we've got the flexibility to design to your needs. If it can be done, we will do it.

### NSWV Model 300 designs offer outstanding advantages:

**Standardized design** – Maximum interchangeability of parts helps reduce spare parts inventory. All parts except the casting suction cover and impeller are completely interchangeable within a given frame group. Eighteen pump sizes are built on only five power frames.

**Tapered shaft** – The impeller end of the shaft and the impeller bore are designed with a taper for reliability and ease of maintenance.

**Rear pull-out design** – The complete rotating element can be removed from the pump without disturbing the suction or discharge piping. Fewer crafts are required to service the pump.

**Flexibility** – Either clockwise or counterclockwise rotation can be supplied. Discharge nozzle can be arranged in any one of eight positions for either rotation to suit the piping arrangement.

**Engineered for dependability** – Two vane non-clog impellers with smooth water passages capable of passing soft solids without clogging.

**Maximum shaft and bearing life** – Large diameter shafts minimize deflection and increase packing life. Bearings are selected in accordance with the Anti-Friction Bearing Manufacturers Association (AFBMA) to provide for maximum life expectancy.

**Stuffing box design** – A universal type stuffing box is provided that will accept either packing or mechanical seal. Simple impeller adjustment – Axial clearance between the impeller and suction cover is controlled by adding or removing shims between the outboard bearing cartridge and the frame.

**Impeller nut** – A contoured stainless steel nut is provided to prevent material from hanging up. The nut is secured by a stainless steel set screw.

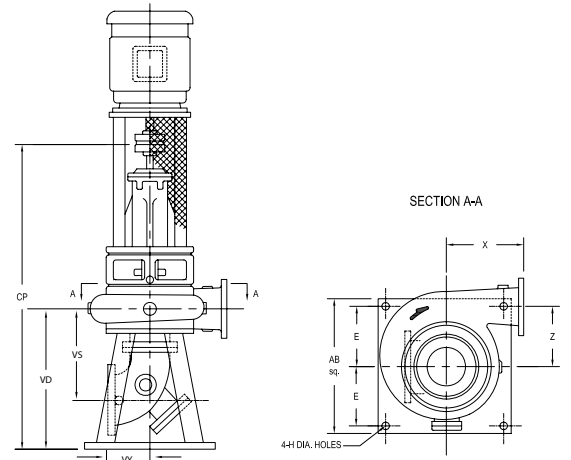
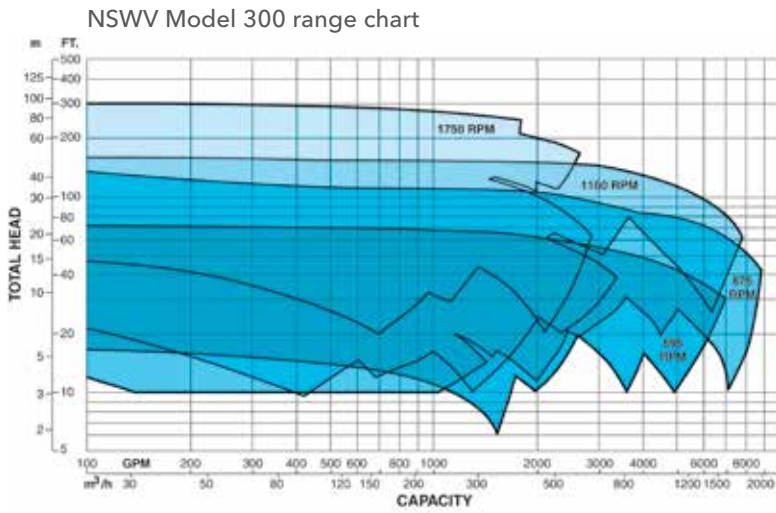
**Wear plate** – A 410 stainless steel (hardened) suction cover wear plate is standard.



### NSWV Model 300

NSW pumps are designed to handle wastewater and other non-corrosive liquids with soft solids in suspension. Typical applications are municipal water and wastewater, industrial wastewater treatment and food processing.

# Flygt A-C Series NSWV MODEL 300 VERTICAL NON-CLOG WASTEWATER PUMPS



FB086 • Flygt NSWV 300 Flyer • 06/2013 • US

## DIMENSIONS

Pump Size	Suction	Discharge	AB	CP	E	HT	VD	VS	VY	X	Z
4X4X10 SC	4	4	19	39 1/4	8 1/4	1 1/8	17 15/16	12 5/16	6 1/2	9	7 1/4
4X4X10 LC	4	4	19	40 1/8	8 1/4	1 1/8	18 3/8	12 3/4	6 1/2	10	7 7/8
4X4X12 LC	4	4	19	40 1/8	8 1/4	1 1/8	18 3/8	12 3/4	6 1/2	12	9
5X5X12	5	5	24	46 1/2	10 3/4	1 1/4	24 11/16	14 3/4	7 1/2	13	9 1/2
6X6X12 SC	6	6	24	46 1/2	10 3/4	1 1/4	24 11/16	15 1/4	8	13	9 1/2
6X6X12 LC	6	6	24	48 1/2	10 3/4	1 1/4	25 9/16	15 1/4	8	13	9 1/2
6X4X14 LC	6	4	30	55 5/8	13 3/4	1 1/4	26 7/16	15 13/16	8	14 3/4	10 3/8
6X4X14 CV	6	4	30	55 5/8	13 3/4	1 1/4	26 7/16	15 13/16	8	14 3/4	10 3/8
6X6X14	6	6	30	56 3/4	13 3/4	1 1/4	27	16 3/8	8	17	12 3/16
8X8X14	8	8	30	56 3/4	13 3/4	1 1/4	27	18 1/8	9	18	18
5X5X17	5	5	30	56 3/4	13 3/4	1 1/4	26 3/8	15 1/2	7 1/2	16	11 1/2
6X6X17	6	6	30	59 3/4	13 3/4	1 1/4	26 3/8	16 3/8	8	17	12 3/16
8X8X17 SC	8	8	30	61	13 3/4	1 1/4	27	18 1/8	9	18	18
8X8X17 LC	8	8	30	61	13 3/4	1 1/4	27	18 1/8	9	18	18
8X8X21	8	8	37	81 1/8	16 1/2	1 1/4	33 7/8	19 1/2	9	21	19 3/4
10X10X21 SC	10	10	37	82 1/8	16 1/2	1 1/4	34 3/8	22	11	24	17 7/8
10X10X21 LC	10	10	37	82 1/8	16 1/2	1 1/4	34 3/8	22	11	24	17 7/8
12X12X21	12	12	37	87 1/8	16 1/2	1 1/4	39 3/8	26 3/4	14	24	18 3/8

All dimensions are in inches. These dimensions should not be used for construction or installation purposes. Pumps are available as right hand (CW) or left hand (CCW) rotation with different discharge positions.



Flygt is a brand of Xylem, whose 12,000 employees are addressing the most complex issues in the global water market.

[www.xylem.com](http://www.xylem.com)

Xylem Water Solutions U.S.A., Inc.  
 N27 W23293 Roundy Drive  
 Pewaukee, WI 53072 U.S.A.  
 Phone: 262-548-8181  
 e-mail: flygtac@xylem.com