

Flygt A-C Series NS Pumps

NSWV MODEL 400 VERTICAL NON-CLOG WASTEWATER PUMPS

Single stage - enclosed non-clog type impeller for pumping wastewater and other non-corrosive liquids with soft solids.

With thousands of NS dry pit pumps in operation worldwide and as the industry leader in service and support with the over 120 years of expertise, we've got the flexibility to design to your needs. If it can be done, we will do it.

NSWV Model 400 designs offer outstanding advantages:

Standardized design – Maximum interchangeability of parts helps reduce spare parts inventory. The pump-motor adapter, mechanical seal cartridge, mechanical seal and back cover are the same for all pumps in a given family group. The entire pump line is designed so only three motor shaft sizes are required.

Compactness – Ideal where space is limited. These pumps require only a fraction of the floor space needed for a comparable horizontal unit. Since the pump and motor are assembled on the same shaft, the overall unit height is lower.

Alignment – These units do not use flexible couplings. All parts are machined to close tolerances, thereby eliminating alignment problems.

Rear pull-out design – The complete rotating element can be removed from the pump without disturbing the suction or discharge piping. Fewer crafts are required to service the pump.

Flexibility – Either clockwise or counterclockwise rotation can be supplied. Discharge nozzle can be arranged in any one of eight positions for either rotation to suit the piping arrangement.

Engineered for dependability – Two vane non-clog impellers with smooth water passages capable of passing soft solids without clogging.

Maximum shaft and bearing life – Large diameter shafts minimize deflection, reduce wear on mechanical seals and bearing. Bearings are selected in accordance with the Anti-Friction Bearing Manufacturers Association (AFBMA) to provide for maximum life expectancy.

Shaft sealing – Pumps are furnished with quality double mechanical seals.

Integrated design – both pump and motor are designed, built and tested as a unit.

Impeller nut – A contoured stainless steel nut is provided to prevent material from hanging up. The nut is secured by a stainless steel set screw.

Wear plate – A 410 stainless steel (hardened) suction cover wear plate is standard.

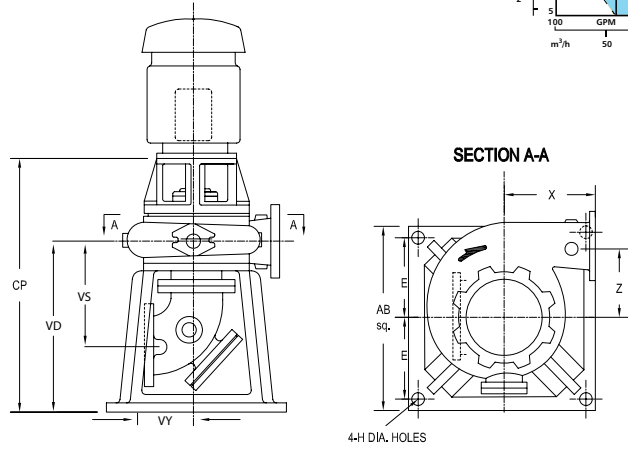
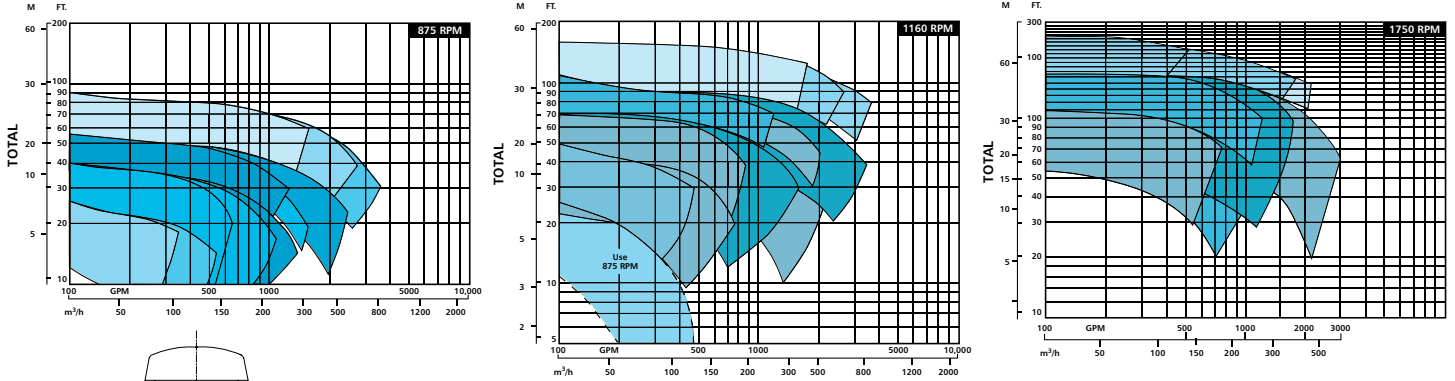


NSWV Model 400

NSW pumps are designed to handle wastewater and other non-corrosive liquids with soft solids in suspension. Typical applications are municipal water and wastewater, industrial wastewater treatment and food processing.

Flygt A-C Series NSWV MODEL 400 VERTICAL NON-CLOG WASTEWATER PUMPS

NSWV Model 400 range chart



DIMENSIONS

Pump Size	Suction	Discharge	AB	CP		E	H	VD	VS	VY	X	Z
				Small Shaft Motor ¹	Large Shaft Motor ²							
4X4X10 SC	4	4	19	25		8 1/4	1 1/8	17 15/16	12 5/16	6 1/2	9	7 1/4
4X4X10 LC	4	4	19	25 7/8	NA	8 1/4	1 1/8	18 3/8	12 3/4	6 1/2	10	7 7/8
4X4X12 LC	4	4	19	25 7/8		8 1/4	1 1/8	18 3/8	12 3/4	6 1/2	12	9
5X5X12	5	5	24	32 1/4	NA	10 3/4	1 1/4	24 11/16	14 3/4	7 1/2	13	9 1/2
6X6X12 SC	6	6	24	32 1/4		10 3/4	1 1/4	24 11/16	15 1/4	8	13	9 1/2
6X6X12 LC	6	6	24	33 13/16	35 5/16	10 3/4	1 1/4	25 9/16	15 1/4	8	13	9 1/2
6X4X14 LC	6	4	30	33 31/32	35 3/4	13 3/4	1 1/4	26 7/16	15 12/16	8	14 3/4	10 3/8
6X4X14 CV	6	4	30	33 31/32	35 3/4	13 3/4	1 1/4	26 7/16	15 12/16	8	14 3/4	10 3/8
6X6X14	6	6	30	35 31/32	36 7/8	13 3/4	1 1/4	27	16 3/8	8	17	12 3/16
8X8X14	8	8	30	35 31/32	36 7/8	13 3/4	1 1/4	27	18 1/8	9	18	18
5X5X17	5	5	30		36 7/32	13 3/4	1 1/4	26 3/8	15 1/2	7 1/2	16	11
6X6X17	6	6	30	NA	36 7/32	13 3/4	1 1/4	26 3/8	16 3/8	8	17	12 3/16
8X8X17 SC	8	8	30		37 15/32	13 3/4	1 1/4	27	18 1/8	9	18	18
8X8X17 LC	8	8	30		37 15/32	13 3/4	1 1/4	27	18 1/8	9	18	18

All dimensions are in inches. These dimensions should not be used for construction or installation purposes. Pumps are available as right hand (CW) or left hand (CCW) rotation with different discharge positions.



Flygt is a brand of Xylem, whose 12,000 employees are addressing the most complex issues in the global water market.

www.xylem.com

Xylem Water Solutions U.S.A., Inc.
 N27 W23293 Roundy Drive
 Pewaukee, WI 53072 U.S.A.
 Phone: 262-548-8181
 e-mail: flygtac@xylem.com

FB087 • Flygt NSWV 400 Flyer • 06/2013 • US