

Flygt A-C Series NS Pumps

NSXV MODEL 300 VERTICAL SHEARPELLER WASTEWATER PUMPS

Single stage - open Shearpeller impeller for pumping wastewater, sludge and non-corrosive liquids and solids.

With thousands of NS dry pit pumps in operation worldwide and as the industry leader in service and support with the over 120 years of expertise, we've got the flexibility to design to your needs. If it can be done, we will do it.

NSXV Model 300 designs offer outstanding advantages:

Standardized design – Maximum interchangeability of parts helps reduce spare parts inventory. All parts except the casing, suction cover and impeller are completely interchangeable within a given frame group. Five pump sizes are built on only two power frames.

Rear pull-out design – The complete rotating element can be removed from the pump without disturbing the suction or discharge piping.

Tapered shaft – The impeller end of the shaft and the impeller bore are designed with a taper for reliability and ease of maintenance.

Flexibility – Either clockwise or counterclockwise rotation can be supplied. Discharge nozzle can be arranged in any one of eight positions for either rotation to suit the piping arrangement.

Engineered for dependability – Unique Shearpeller impeller design. Pumping action is performed by combining shear forces with the normal lift forces used in conventional centrifugal pumps. The specially-shaped radial vanes allow suspended solids to flow easily, minimizing the clogging or obstruction. The impeller can pass solids up to five inches in diameter.

Maximum shaft and bearing life – Large diameter shafts minimize deflection and increase packing life. Bearings are selected in accordance with the Anti-Friction Bearing Manufacturers Association (AFBMA) to provide for maximum life expectancy.

Designed for minimum maintenance – Large cleanout handholes are provided in the suction nozzle and on the centerline of the casting for inspection or quick access to the shearpeller impeller. In addition, a 2-inch tapped hole is provided in the suction elbows for injecting high pressure water to clean out pumps in case of stoppage. The stuffing box maintenance is easy. Ample space is provided for repacking and other normal care. A split gland speeds packing replacement.

Efficiency and heads comparable to standard centrifugal pumps – Since the vanes widen to almost fill the chamber at the outer edge, the characteristics of the NSXV pump approach that of a true centrifugal unit. For a given condition, the horsepower required by the NSXV pump is less than that required by a fully recessed impeller pump. Higher head pressure can also be achieved up to 95 feet on standard NSXV models.

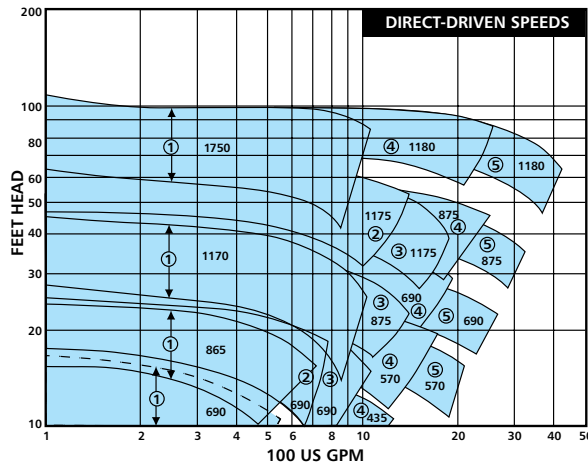
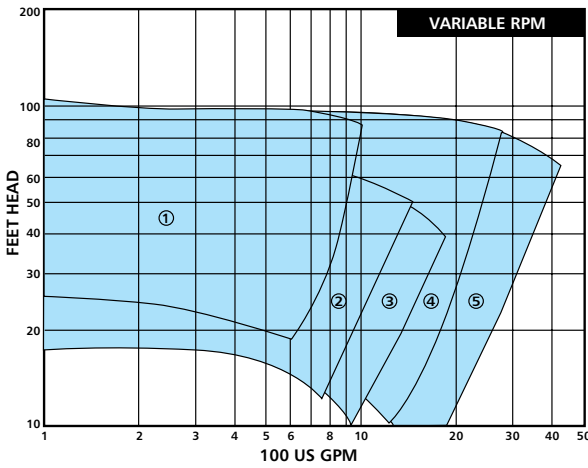
Save space – Vertical pumps have sturdy support pedestals, save space, require less floor area and less elaborate foundations.



NSXV Model 300

Flygt A-C Series NSXV MODEL 300 VERTICAL SHEARPELLER WASTEWATER PUMPS

NSXV Model 300 range chart



Direct-Driven Speeds

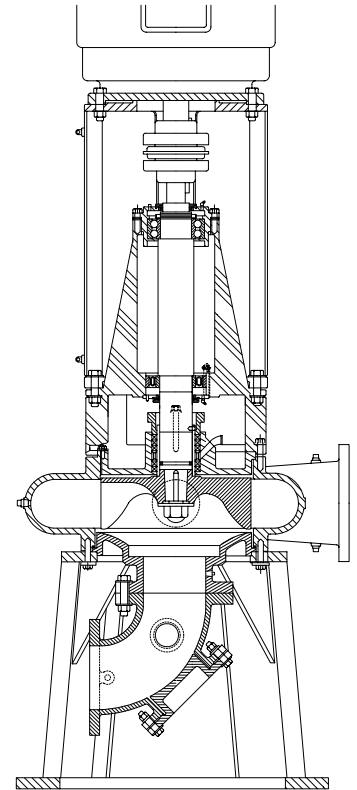
Key No.	Pump	Speed	Key No.	Pump	Speed
1	4x4x10 LC	690	4	6x6x14	435
1	4x4x10 LC	865	4	6x6x14	570
1	4x4x10 LC	1170	4	6x6x14	690
1	4x4x10 LC	1770	4	6x6x14	875
2	4x4x12 LC	690	4	6x6x14	1180
2	4x4x12 LC	875	5	8x8x14	435
2	4x4x12 LC	1175	5	8x8x14	570
3	5x5x12	690	5	8x8x14	690
3	5x5x12	875	5	8x8x14	875
3	5x5x12	1175	5	8x8x14	1180

Variable RPM

Key No.	Pump	Speed
1	4x4x10 LC	865-1770
2	4x4x12 LC	600-1175
3	5x5x12	600-1175
4	6x6x14	435-1180
5	8x8x14	435-1180



Xylem's unique impeller is designed to handle fluids containing abrasives, large solids and up to 20% vapor.



Pumps are available as right hand (CW) or left hand (CCW) rotation with different discharge positions.



Flygt is a brand of Xylem, whose 12,000 employees are addressing the most complex issues in the global water market.

www.xylem.com

Xylem Water Solutions U.S.A., Inc.
N27 W23293 Roundy Drive
Pewaukee, WI 53072 U.S.A.
Phone: 262-548-8181
e-mail: flygtac@xylem.com