

# Flygt A-C Series NS Pumps

NSYV MODEL 300 VERTICAL NON-CLOG WASTEWATER PUMPS

## Single stage - enclosed mixed flow type impeller for pumping wastewater and other non-corrosive liquids with soft solids.

NSYV pumps are designed to handle wastewater and other non-corrosive liquids with soft solids in suspension. Typical applications are municipal water and wastewater, industrial wastewater treatment and food processing.

With thousands of NS dry pit pumps in operation worldwide and as the industry leader in service and support with the over 120 years of expertise, we've got the flexibility to design to your needs. If it can be done, we will do it.

### NSYV Model 300 designs offer outstanding advantages:

**Standardized design** – Maximum interchangeability of parts helps reduce spare parts inventory. All parts except the casting, suction cover and impeller are completely interchangeable within a given frame group. Seven pump sizes are built on only four power frames.

**Rear pull-out design** – The complete rotating element can be removed from the pump without disturbing the suction or discharge piping.

**Tapered shaft** – The impeller and shaft are designed with a taper to allow for ease of maintenance.

**Impeller nut** – A well contoured nut is provided that helps to prevent material from hanging up. A set screw locks the nut in place.

**Flexibility** – Either clockwise or counterclockwise rotation can be supplied. Discharge nozzle can be arranged in any one of eight positions for either rotation to suit the piping arrangement.

**Engineered for dependability** – Two vane non-clog impellers with smooth water passages capable of passing soft solids.

**Maximum shaft and bearing life** – Large diameter shafts minimize deflection and increase packing life. Bearings are selected in accordance with the Anti-Friction Bearing Manufacturers Association (AFBMA) to provide for maximum life expectancy.

**Simple impeller adjustment** – Axial clearance between the impeller and suction cover is controlled by adding or removing shims between the outboard bearing cartridge and the frame.

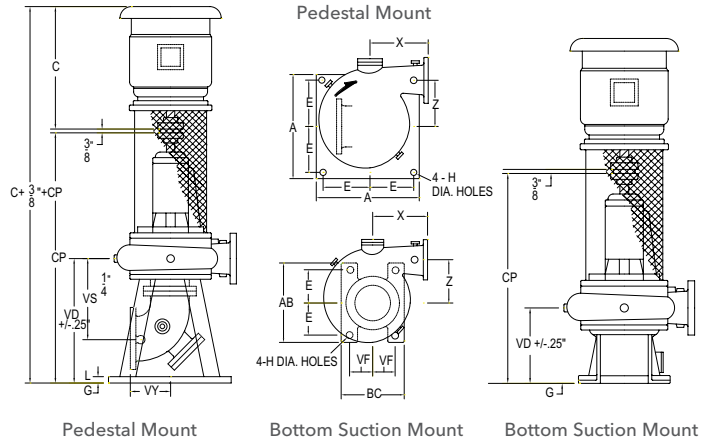
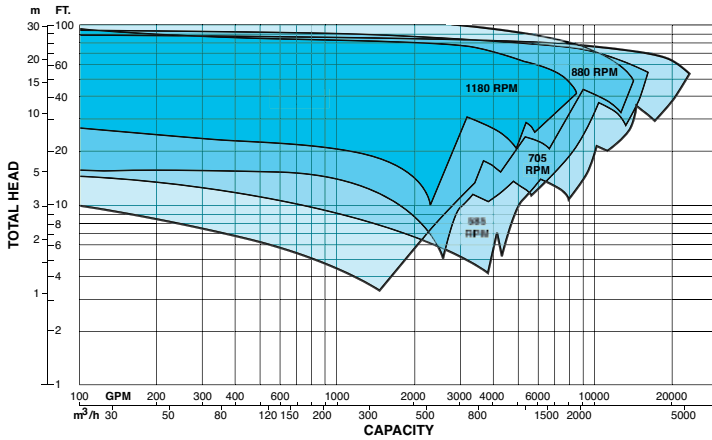
**High operating efficiency** – Standard with replaceable stainless steel impeller wear ring and suction cover wear plate.



NSYV Model 300

# Flygt A-C Series NSYV MODEL 300 VERTICAL NON-CLOG WASTEWATER PUMPS

NSYV Model 300 range chart



## DIMENSIONS

### Pedestal Mount

Pump Size	Suction	Discharge	A	CP	E	G	H	VD	VS	VY	X	Z
10x10x13 <sup>1</sup> / <sub>2</sub>	10	10	30	57 <sup>3</sup> / <sub>8</sub>	10 <sup>1</sup> / <sub>2</sub>	1	1 <sup>1</sup> / <sub>4</sub>	31	21	11	14	10 <sup>1</sup> / <sub>2</sub>
12x12x15	12	12	38	64 <sup>5</sup> / <sub>8</sub>	17 <sup>1</sup> / <sub>2</sub>	1	1 <sup>1</sup> / <sub>4</sub>	34	23	11	15	10 <sup>3</sup> / <sub>4</sub>
14x14x17 <sup>1</sup> / <sub>2</sub>	14	14	40	71 <sup>1</sup> / <sub>4</sub>	18 <sup>1</sup> / <sub>2</sub>	1	1 <sup>1</sup> / <sub>4</sub>	41	27 <sup>3</sup> / <sub>8</sub>	14	17 <sup>1</sup> / <sub>2</sub>	12 <sup>3</sup> / <sub>4</sub>
16x16x20	16	16	42	75 <sup>1</sup> / <sub>8</sub>	19 <sup>1</sup> / <sub>2</sub>	1 <sup>1</sup> / <sub>4</sub>	1 <sup>1</sup> / <sub>4</sub>	45 <sup>1</sup> / <sub>4</sub>	30 <sup>1</sup> / <sub>4</sub>	15	20	14 <sup>1</sup> / <sub>2</sub>

### Bottom Suction Mount

Pump Size	Suction	Discharge	AB	BC	CP	E	G	H	VD	VF	X	Z
10x10x13 <sup>1</sup> / <sub>2</sub>	10	10	24	15	42 <sup>7</sup> / <sub>8</sub>	10 <sup>1</sup> / <sub>2</sub>	3/4	1 <sup>1</sup> / <sub>8</sub>	16 <sup>1</sup> / <sub>2</sub>	5 <sup>1</sup> / <sub>2</sub>	14	10 <sup>1</sup> / <sub>2</sub>
12x12x15	12	12	26	18	49 <sup>1</sup> / <sub>8</sub>	11 <sup>1</sup> / <sub>4</sub>	3/4	1 <sup>1</sup> / <sub>4</sub>	18 <sup>1</sup> / <sub>2</sub>	6 <sup>1</sup> / <sub>2</sub>	15	10 <sup>3</sup> / <sub>4</sub>
14x14x17 <sup>1</sup> / <sub>2</sub>	14	14	29	19	50 <sup>3</sup> / <sub>8</sub>	12 <sup>1</sup> / <sub>2</sub>	3/4	1 <sup>1</sup> / <sub>4</sub>	20 <sup>1</sup> / <sub>8</sub>	7	17 <sup>1</sup> / <sub>2</sub>	12 <sup>3</sup> / <sub>4</sub>
16x16x20	16	16	33	21	53	14 <sup>1</sup> / <sub>2</sub>	3/4	1 <sup>3</sup> / <sub>8</sub>	23	7 <sup>1</sup> / <sub>2</sub>	20	14 <sup>1</sup> / <sub>2</sub>
18x18x23	18	18	38	24	66 <sup>1</sup> / <sub>2</sub>	16	1	1 <sup>3</sup> / <sub>8</sub>	24	9	22 <sup>1</sup> / <sub>2</sub>	16 <sup>3</sup> / <sub>8</sub>
20x20x25	20	20	42	27 <sup>1</sup> / <sub>2</sub>	68 <sup>1</sup> / <sub>2</sub>	19 <sup>1</sup> / <sub>4</sub>	1 <sup>1</sup> / <sub>4</sub>	1 <sup>3</sup> / <sub>8</sub>	26	10 <sup>1</sup> / <sub>2</sub>	25	18
24x24x30	24	24	50 <sup>1</sup> / <sub>2</sub>	32	82 <sup>1</sup> / <sub>2</sub>	23 <sup>1</sup> / <sub>8</sub>	1 <sup>1</sup> / <sub>2</sub>	1 <sup>5</sup> / <sub>8</sub>	31 <sup>1</sup> / <sub>4</sub>	12 <sup>5</sup> / <sub>8</sub>	30	21 <sup>5</sup> / <sub>8</sub>

All dimensions are in inches. These dimensions should not be used for construction or installation purposes. Pumps are available as right hand (CW) or left hand (CCW) rotation with different discharge positions.



Flygt is a brand of Xylem, whose 12,000 employees are addressing the most complex issues in the global water market.

[www.xylem.com](http://www.xylem.com)

Xylem Water Solutions U.S.A., Inc.  
 N27 W23293 Roundy Drive  
 Pewaukee, WI 53072 U.S.A.  
 Phone: 262-548-8181  
 e-mail: [flygtac@xylem.com](mailto:flygtac@xylem.com)